

MODEL DW

(Double Wall Chimney Systems, 1"-4" Air Space)

MODEL D_{Plus}

(Double Wall Systems, 1"-4" Mineral Wool Insulation Space, D₊) or
(1"-4" Ceramic Fiber Insulation Space, D_C)

HO-

Installation Guidelines

Tested to: UL 103 / ULC ORD C959
UL 2561 / ULC ORD C959
UL 641 / ULC S609



VAN-PACKER

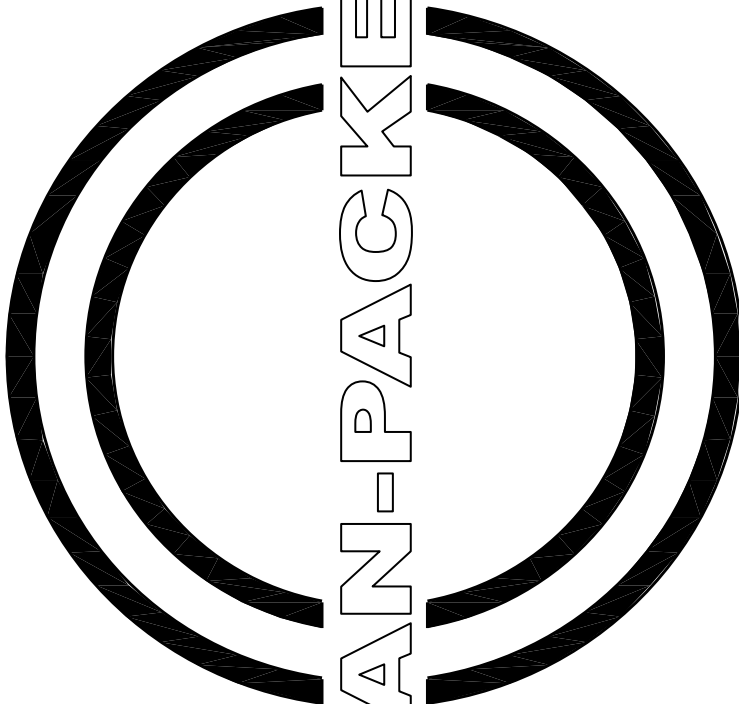


TABLE OF CONTENTS

LISTING & CODE COMPLIANCE	3
TESTING, CLASSIFICATION, & APPLICATIONS.	3
GENERAL INFORMATION	3-4
CLEARANCES	3
CODES & AUTHORITIES.	3
INSTALLATION CONSIDERATIONS	3-4
MIXING SYSTEMS & PARTS.	4
CHIMNEY/VENT SLOPE.	4
DRAINS	4
APPLICATIONS	4
RECEIVING INSPECTION	5
TYPICAL COMPONENT LOCATIONS	5
FREIGHT DAMAGE.	5
PART IDENTIFICATION & MATERIAL CODES	6
JOINT ASSEMBLY	7
SEALANT USAGE.	8
INSTALLED WEIGHT CHART.	8-9
HEIGHT LIMITATIONS.	8-9
SECTIONS & FITTINGS	10-12
ADAPTERS	10
FITTINGS & STRAIGHT SECTIONS	10
TEST PROBES & DRAINS	11
TERMINATIONS	11
ADJUSTABLE AND VARIABLE LENGTH SECTIONS	12
COVER PLATE	12
SUPPORTS & GUIDES.	13-15
STRUCTURAL SUPPORTS.	13-14
HORIZONTAL SUPPORT HANGER	14
LATERAL BRACES & GUIDES.	15
PENETRATIONS.	16
ROOF PENETRATIONS	16
SYSTEM INSTALLATION EXAMPLE.	17

WARNING

A MAJOR CAUSE OF CHIMNEY RELATED FIRES IS FAILURE TO MAINTAIN REQUIRED CLEARANCES (AIR SPACES) TO COMBUSTIBLE MATERIALS. IT IS OF UTMOST IMPORTANCE THAT THIS CHIMNEY BE INSTALLED ONLY IN ACCORDANCE WITH THESE INSTRUCTIONS. A chimney should always be sized in accordance with the appliance manufacturers instructions. It is important to read and understand these instructions fully before installing this chimney/vent system. Failure to comply with these instructions will result in a hazardous installation and will void the warranty.

STANDARD WARRANTY

When this system, provided by the Van-Packer Company, is installed per these instructions, we warrant the parts to be free from defects in material and workmanship for a period of 12 months from the date of shipment. For warranty questions please contact the technical service department for further details and stipulations.

LISTING & CODE COMPLIANCE

Van-Packer's Model DW or Dplus chimney/vent system is listed by UL at 2 to 6 inch clearance to combustibles (see chart below) for: Building Heating Appliance Chimney, Industrial Type 540°C chimney, Industrial Type 760°C chimney and type "L" low-temperature venting system, when installed in accordance with these instructions and NFPA 211 Standard for Chimneys, Fireplaces, Vents, and Solid Fuel-Burning Appliances, International Mechanical Code, Uniform Mechanical Code, or other local codes.

TESTING, CLASSIFICATION, & APPLICATIONS

Model DW or Dplus has been tested in accordance with the procedures and methods set forth by:

1. UL 103 / ULC ORD C959 (*Standard Building Heating Appliance Chimney (B.H.A.) / Standard for Industrial Type 540°C Chimney*). Continuous operating temperatures not exceeding 1000°F (540°C), intermittent temperatures of 1400°F (760°C) for 60 minutes and 1700°F (930°C) for 10 minutes.
2. UL 2561 / ULC ORD C959 (*Standard Building Heating Appliance Chimney / Standard for Industrial Type 760°C Chimney*). Continuous operating temperatures not exceeding 1400°F (760°C), intermittent temperatures of 1800°F (980°C) for 10 minutes.
3. UL 641 / ULC S609 (*Standard Type "L" Low-temperature Venting System*). Continuous operating temperatures not exceeding 570°F (299°C).

Model DW or Dplus is Rated for:

1. Continuous operation at 2 to 6 inch clearance to combustibles (see chart below).
2. Continuous operation at zero inch clearance to non-combustibles.
3. Venting negative, neutral, and positive pressure applications.
4. Venting flue gasses from gas, liquid, and solid fuel fired appliances.
5. Positive pressures up to 60 inches water column.

Model DW or Dplus chimney/vent is intended to be part of a complete system which connects the appliance with the outdoors by means of natural draft or mechanical draft.

CLEARANCE TO COMBUSTIBLES			
Model	1400° F Chimney	* B.H.A. Chimney	Type "L" Vent
DW 1", 2", 3" or 4" Air Space	6" (152 mm)	4" (102 mm)	4" (102 mm)
Dplus Series 1", 2", 3", or 4" insulation	4" (102 mm)	2" (51 mm)	2" (51 mm)

*=Building Heating Appliance

GENERAL INFORMATION

WARNING: Code compliant clearances must be followed where any components are in direct contact with the liner. Examples of this would be support assemblies, drain pipes, or any other similar items.

Do not apply wraps or enclosure materials in direct contact with Van-Packer's products in a manner that adds additional weight to our chimney/vent. Model DW or Dplus has not been tested, listed, designed, etc. to carry additional weight from such materials.

Model DW or Dplus chimney/vent is intended to be installed unenclosed or with-in a non-combustible enclosure. A chimney that extends through any zone above that which the connected appliance is located is to be provided with an enclosure having a fire resistance rating equal to or greater than that of the floor or roof assemblies through which it passes. Always refer to other codes / authorities having jurisdiction for specific chimney/vent requirements for enclosures and floor/roof penetrations.

CODES & AUTHORITIES

Installation must be made in accordance with local and national code requirements. Follow these instructions carefully and contact local building and fire officials about restrictions and installation inspection in your area. Refer to NFPA 211 (Standard for Chimneys, Fireplaces, Vents, and Solid Fuel-Burning Appliances) and additional NFPA standards as required.

INSTALLATION CONSIDERATIONS

Follow Van-Packer's written installation instructions carefully. Each part of the chimney/vent system must be installed correctly. Improper or lack of required parts may result in the improper function of the chimney/vent system. Always contact the technical service department with any questions.

GENERAL INFORMATION - INSTALLATION CONSIDERATIONS CONTINUED

The chimney/vent layout should be carefully planned to allow adequate space for assembly, installation of supports, connection of support framing, access for drains, accommodate standard fitting dimensions, rough openings for penetrations, inspection, cleaning etc. Do not assume all appliances within a facility can be exhausted with a single chimney system. Consult a chimney design professional as required.

One prime coat and finish coat of appropriate heat resistant paint is recommended on any non-stainless steel accessories that are in areas subject to cleaning or exposed to the weather. Stainless steel accessories are available upon special request.

MIXING SYSTEMS & PARTS

Do not connect a chimney/vent system with building grease duct system. Do not connect parts from other chimney manufacturers with Model DW or Dplus components without the expressed consent of Van-Packer.

Components from other Van-Packer product lines, (for example Model SW), may be mixed with Model DW or Dplus components to complete a chimney/vent system as long as: clearances, limitations, codes, etc. are followed. Contact Van-Packer for more information concerning product lines which are listed for use as chimney/vents.

Van-Packer chimney/vent components are designed to complete the entire system. However, we realize conditions occur where systems must be mixed. In these cases, in accordance with *good construction methods and codes* it is permissible to transition to/from a code compliant system (by others) to/from Van-Packer chimney/vent components. Connection must be an approved joint assembly method as described within installation instructions, and/or applicable codes. Transition (by others) cannot connect in a manner that adds additional weight/stress to our system. Van-Packer's products have not been tested, listed, designed, etc. to carry additional weight from such transitions. **WARNING:** Listings / warranties may be affected when transitioning to/from chimney/vent by others. Consult Van-Packer technical service department for additional information.

CHIMNEY/VENT SLOPE

Model DW or Dplus chimneys/vents must be installed accordingly to comply with the requirements as described in order to maintain a listed installation. UL states that these chimneys/vents must comply with requirements as set forth by UL, NFPA 211 (Standard for Chimneys, Fireplaces, Vents, and Solid Fuel-Burning Appliances), and the International Mechanical Code. Model DW or Dplus chimneys/vents should be installed at a slope not less than 1/4 unit vertical in 12 units horizontal toward the appliance or the drain. Contact Van-Packer for additional information.

DRAINS

Van-Packer offers a variety of standard factory built sections for draining off any moisture and/or condensation. Position drain by using *Good Engineering Practices*, never allowing moisture to puddle or accumulate in the system.

APPLICATIONS

Model DW or Dplus chimneys/vents are suitable for interior or exterior installations. Model DW or Dplus chimney/vents can be used in many venting applications: boilers, water heaters, engines, turbines, dryers, fume or particle ventilation, chutes, incinerators, ovens, and many other applications. Model DW or Dplus chimney/vent systems have various components which are readily available for your venting needs. Van-Packer products are also suitable for use as grease ducts; however specific grease duct installation instructions, clearances, listing, etc. are not covered by these instructions. Always contact Van-Packer for additional uses and information, refer to NFPA 211 and additional codes / authorities having jurisdiction for specific chimney/vent system requirements.

Please Note 1. If being used with engines or turbines special provisions are required. Contact Van-Packer for additional information, refer to NFPA 37 (Standard for Installation and use of Stationary Combustion Engines and Gas Turbines) and any other codes / authorities having jurisdiction for specific chimney/vent requirements. 2. If being used with a wood burning appliance special provisions are required. Creosote residue is flammable and when ignited makes an extremely hot fire. It is necessary that access be provided for the inspection and cleaning. Accumulation of creosote should be removed to reduce the risk of fire. Contact Van-Packer for additional information, refer to NFPA 211, and any other codes / authorities having jurisdiction for specific chimney/vent requirements.

RECEIVING INSPECTION

Compare the packing list items and quantities with the contents of the containers to ensure completeness of the shipment. If the shipment is missing components, please contact Van-Packer's order entry department at 888-877-8225.

TYPICAL COMPONENT LOCATIONS

Straight sections, fittings, etc. will be positioned and stacked accordingly to fill the shipping container. Sections of smaller dimensions may be slipped into sections of larger dimensions. Bags of fasteners, sealant, etc. may also be located inside the liner of the various pieces.

FREIGHT DAMAGE

Inspect each box as it is unloaded from the carrier for damage which may have occurred during transit. Should there be any damaged components, the delivery receipt must be signed damaged in order for Van-Packer to file a claim with the carrier. If the delivery receipt is signed damaged, contact Van-Packer immediately. If there are damaged parts and the delivery receipt is not signed damaged, Van-Packer or the carrier will not be liable, and damaged parts will be replaced at the customer's expense. Do not return any parts to the factory without prior authorization from Van-Packer Company

PART IDENTIFICATION & MATERIAL CODES

Model DW or Dplus part numbers will start with the letter "D" prefix, followed by the air or insulation type and thickness (if applicable) followed by the chimney diameter (I.D.), then the part description code, next a special qualifier code (if applicable) and last the liner/shell material designation. Part description codes are generally three characters and are either alpha or alpha numeric. Qualifier codes are most often used to designate section lengths, tee projection dimensions, and the large I.D. end of increasers. The following are a couple examples of part numbers with their associated description and part number breakdown.

D1A12STR30AL

Refers to a Model DW, with 1" air space, 12" I.D., 30" long straight section constructed with a 304 S.S. liner and an aluminized steel shell.

D1A = Model DW, with 1" air space
12 = Section I.D.
STR = Part Code, Straight Section
30 = Section length, 30" long
A = Liner Material Code, 304 S.S.
L = Shell Material Code, ALZD Steel

D2A12BTT08BA

Refers to a Model DW, with 2" air space, 12" I.D. 90 Boot tee section with an 08" I.D. projection constructed with a 316 S.S. liner and 304 S.S. shell.

D2A = Model DW, with 2" air space
12 = Tee Body, 12" I.D.
BTT = Part Code, 90 Degree Tee Section
08 = Tee Projection, 08" I.D.
B = Liner Material Code, 316 S.S.
A = Shell Material Code, 304 S.S.

D2+1290T08BA

Refers to a Model Dplus, with 2" Mineral Wool insulation, 12" I.D. 90 degree centered tee section with an 08" I.D. projection constructed with a 316 S.S. liner and 304 S.S. shell.

D2+ = Model Dplus, with 2" Mineral Wool insulation
12 = Tee Body, 12" I.D.
90T = Part Code, 90 Degree Tee Section
08 = Tee Projection, 08" I.D.
B = Liner Material Code, 316 S.S.
A = Shell Material Code, 304 S.S.

D3C1245EAC

Refers to a Model Dplus, with 3" Ceramic Fiber insulation, 12" I.D. 45 degree elbow constructed with a 304 S.S. liner and 430 S.S. shell.

D3C = Model Dplus, with 3" Ceramic Fiber insulation
12 = Section I.D.
45E = Part Code, 45 degree Elbow
A = Liner Material Code, 304 S.S.
C = Shell Material Code, 430 S.S.

LINER MATERIAL CODES

A = 304 S.S.
B = 316 S.S.

SHELL MATERIAL CODES

A = 304 S.S.
B = 316 S.S.
C = 430 S.S.
L = Aluminized Steel

PREFIX EXAMPLES

AIR INSULATED MODELS:

D1A = Model DW with 1" air space in between the liner and shell
D2A = Model DW with 2" air space between the liner and shell
D3A = Model DW with 3" air space between the liner and shell
D4A = Model DW with 4" air space between the liner and shell

INSULATION INSULATED MODELS:

D1+ = Model Dplus with 1" mineral wool insulation between the liner and shell
D2+ = Model Dplus with 2" mineral wool insulation between the liner and shell
D3+ = Model Dplus with 3" mineral wool insulation between the liner and shell
D4+ = Model Dplus with 4" mineral wool insulation between the liner and shell
D1C = Model Dplus with 1" ceramic fiber insulation between the liner and shell
D2C = Model Dplus with 2" ceramic fiber insulation between the liner and shell
D3C = Model Dplus with 3" ceramic fiber insulation between the liner and shell
D4C = Model Dplus with 4" ceramic fiber insulation between the liner and shell

JOINT ASSEMBLY

The following steps are to be used to ensure this system has liquid tight joints.

Operating Temperature up to 600°F Use high temperature silicone sealant, Van-Packer part number 101087A. **Warning:** allow sealant to cure 72 hours before use. Sealant will not bond to flanges if moisture is introduced into the system before sealant has cured.

Operating Temperature above 600°F Use high temperature sealant, Van-Packer part number 101091F. **Warning:** sealant remains water soluble until fully cured. Cure sealant by introducing warm moving air into the chimney/vent for 24 hours.

STEP 1

Inspect all liner flanges and straighten any mild deformations that may have occurred during shipping.

STEP 2

To ensure sealant adhesion, degrease and remove any dirt and debris from the liner flanges. Use an acetone based cleaner applied to a rag.

STEP 3

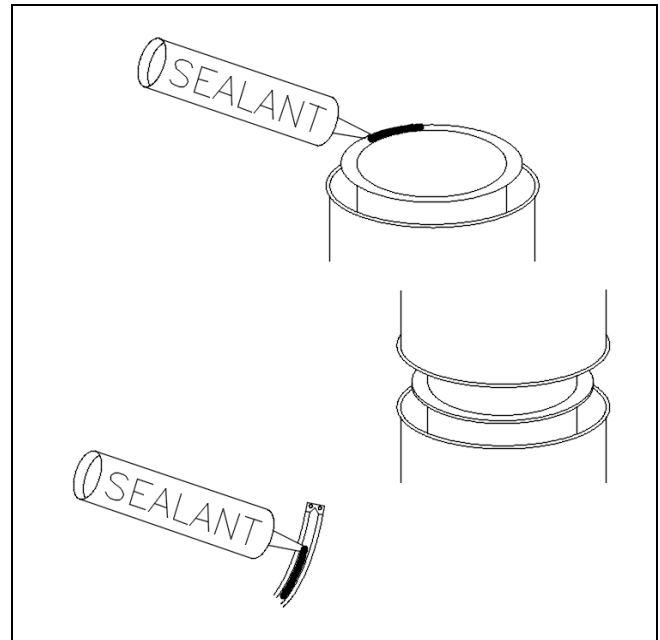
Apply a continuous bead of sealant (1/8" to 1/4") to one or both of the liner flanges to be joined.

STEP 4

Butt the flanged ends of the sections being joined, being careful not to smear off the sealant. Re-apply if this happens.

STEP 5

Apply a bead of sealant into the groove of the vee band.



STEP 6

Install the vee band making sure the vee band overlap tabs slide under the mating end and tighten up. Overlap tabs should be located on the sides of the horizontal duct. It is **necessary** to lightly tap the vee band while tightening to ensure a snug fit.

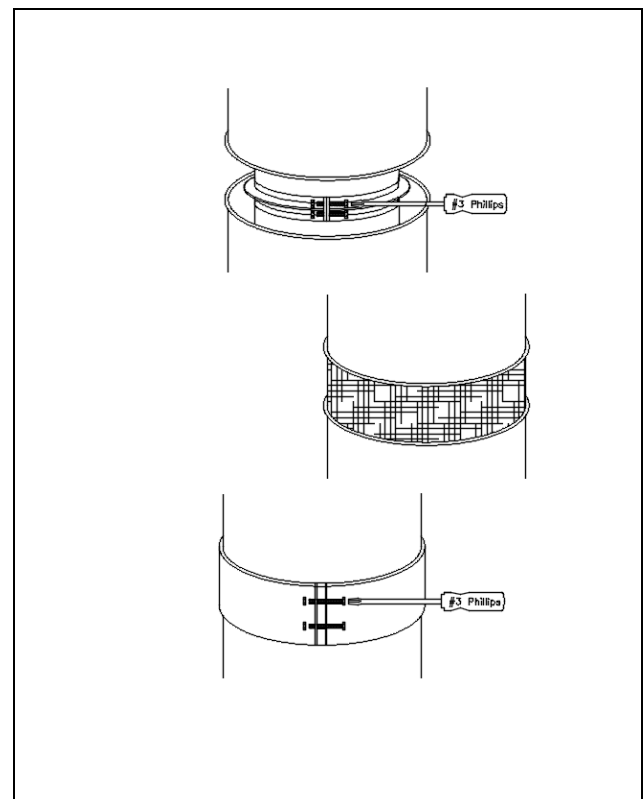
Wipe smooth any excess sealant on the inside of the assembled chimney/vent to prevent sealant dams.

STEP 7

If installing Model DWplus series, install insulation strips to ensure all gaps are filled.

STEP 8

Secure the outer shell with the draw band. It is recommended that silicone sealant be applied around the top of the draw band to prevent moisture from entering between the chimney walls. This should be done on all components exposed to the atmosphere.



Failure to follow our instructions could lead to leaking joints.

APPROXIMATE SEALANT USAGE

Section I.D.	6"	7"	8"	9"	10"	12"	14-16"	18"-20"	22"-30"	32"-38"	40"-48"
Joists per Tube	12	10	9	8	7	6	5	4	3	2	1

APPROXIMATE INSTALLED WEIGHT per foot in pounds

I.D.	D1A	D1+	D2+	D3+	D4+	I.D.	D1A	D1+	D2+	D3+	D4+	I.D.	D1A	D1+	D2+	D3+	D4+
06	6	7	9	11	13	18	15	17	21	25	29	34	31	36	42	48	55
07	7	8	10	12	15	20	16	19	23	27	35	36	33	38	44	51	57
08	7	9	11	13	16	22	18	21	25	33	38	38	39	45	51	58	65
09	8	9	12	14	17	24	19	22	30	35	41	40	41	47	54	61	68
10	9	10	13	16	19	26	24	28	33	38	43	42	43	49	56	64	71
12	10	12	15	18	21	28	26	30	35	40	46	44	45	51	59	66	74
14	12	14	17	20	24	30	27	32	37	43	49	46	47	54	61	69	77
16	13	15	19	22	26	32	29	34	40	46	52	48	49	56	64	72	80

APPROXIMATE HEIGHT LIMITATION in feet

I.D.	Model D1A					Model D1+					Model D2+					Model D3+					Model D4+				
	STR	TEE	PLS	WSA	VRS	STR	TEE	PLS	WSA	VRS	STR	TEE	PLS	WSA	VRS	STR	TEE	PLS	WSA	VRS	STR	TEE	PLS	WSA	VRS
06	313	105	394	243	125	264	88	333	205	105	204	68	257	159	81	161	54	203	125	64	130	44	164	101	52
07	286	102	359	216	113	242	86	304	183	96	188	67	236	142	74	149	53	187	113	59	122	44	153	92	49
08	264	100	331	193	102	222	84	278	162	85	173	65	217	127	67	140	53	176	103	54	115	44	145	85	45
09	243	97	305	173	93	205	82	257	146	79	162	65	203	116	62	132	53	166	94	51	110	44	137	78	42
10	229	95	287	159	85	194	81	243	134	72	153	64	192	106	57	126	53	158	87	47	105	44	132	73	39
12	207	93	258	136	75	173	78	216	114	63	140	63	175	92	51	115	52	144	76	42	97	44	121	64	35
14	188	91	226	118	66	159	77	191	99	56	130	63	156	81	46	108	52	129	67	38	91	44	109	57	32
16	176	90	203	105	60	148	75	171	88	51	121	62	140	72	42	101	52	117	60	35	86	44	100	52	30
18	163	78	182	93	55	138	66	154	79	46	114	54	127	65	38	96	46	107	55	32	82	39	91	47	28
20	155	69	168	85	51	131	59	142	71	43	108	49	117	59	36	92	41	99	50	30	71	32	76	39	23
22	148	62	155	77	47	125	53	131	65	40	103	43	108	54	33	78	33	82	41	25	68	29	71	36	22
24	142	56	145	71	45	120	47	122	60	38	88	35	89	44	28	76	30	77	38	24	66	26	67	33	21
26	117	40	116	57	36	101	35	100	49	31	85	29	84	41	26	73	25	73	36	23	64	22	63	31	20
28	113	33	109	53	34	98	29	94	46	30	83	24	79	39	25	72	21	69	33	22	62	18	60	29	19
30	110	27	103	49	33	95	24	89	43	28	81	20	75	36	24	70	17	65	31	21	61	15	57	28	18
32	106	22	97	46	31	92	19	84	40	27	78	16	72	34	23	68	14	62	30	20	60	12	55	26	18
34	104	17	93	42	29	90	15	80	36	25	77	13	68	31	21	67	11	59	27	19	59	10	52	24	16
36	102	13	89	38	27	88	12	77	33	23	75	10	66	28	20	65	9	57	25	17	58	8	50	22	15
38	88	12	74	30	22	78	10	65	27	19	68	9	57	23	17	60	8	50	21	15	53	7	45	18	13
40	88	11	71	28	20	77	10	63	24	18	67	9	55	21	16	60	8	48	19	14	53	7	43	17	12
42	88	11	68	25	19	77	10	60	22	17	67	9	53	19	15	60	8	47	17	13	53	7	42	15	12
44	87	11	66	23	18	77	10	58	20	16	67	9	51	18	14	60	8	45	16	12	53	7	40	14	11
46	87	11	64	21	16	77	10	56	18	15	67	9	49	16	13	60	8	44	14	11	53	7	39	13	10
48	87	11	62	19	15	77	10	55	17	14	67	9	48	15	12	60	8	42	13	11	53	7	38	12	10

APPROXIMATE INSTALLED WEIGHT per foot in pounds

I.D.	D1C	D2C	D3C	D4C
06	8	10	13	17
07	8	11	15	19
08	9	12	16	20
09	10	14	18	22
10	11	15	19	24
12	13	17	22	27
14	15	19	25	30
16	17	22	27	33

I.D.	D1C	D2C	D3C	D4C
18	19	24	30	37
20	21	27	33	44
22	23	29	39	47
24	25	35	42	51
26	30	37	46	54
28	32	40	49	58
30	34	43	52	61
32	37	45	55	65

I.D.	D1C	D2C	D3C	D4C
34	39	48	58	68
36	41	51	61	72
38	48	58	69	80
40	51	61	72	84
42	53	64	76	88
44	56	67	79	92
46	58	70	82	95
48	60	73	86	99

APPROXIMATE HEIGHT LIMITATION in feet

I.D.	Model D1C					Model D2C					Model D3C					Model D4C				
	STR	TEE	PLS	WSA	VRS	STR	TEE	PLS	WSA	VRS	STR	TEE	PLS	WSA	VRS	STR	TEE	PLS	WSA	VRS
06	238	80	300	185	95	178	60	224	139	71	132	44	167	103	53	102	34	129	80	41
07	218	78	274	164	86	163	58	205	123	65	123	44	155	93	49	96	34	121	73	38
08	200	75	250	146	77	151	57	190	111	58	115	43	144	84	44	91	34	114	66	35
09	187	74	234	133	72	141	56	177	101	54	108	43	136	77	42	86	35	108	62	33
10	174	73	218	121	65	134	56	168	93	50	103	43	129	71	39	82	34	103	57	31
12	157	71	196	103	57	121	55	151	80	44	94	43	118	62	34	76	35	95	50	28
14	144	69	172	90	51	112	54	134	70	40	88	43	105	55	31	72	35	86	45	25
16	134	68	154	80	46	104	53	120	62	36	83	42	96	49	29	68	35	78	40	23
18	125	60	140	71	42	98	47	110	56	33	78	37	87	45	26	64	31	72	37	22
20	119	53	128	65	39	93	42	101	51	31	75	33	81	41	25	57	25	61	31	19
22	114	48	119	59	37	89	37	93	46	29	65	27	68	34	21	54	23	57	29	18
24	109	43	111	55	34	77	30	78	39	24	63	25	64	32	20	53	21	54	27	17
26	93	32	92	45	29	74	25	73	36	23	61	21	60	30	19	51	18	51	25	16
28	90	26	86	42	27	72	21	69	34	22	59	18	57	28	18	50	15	48	23	15
30	87	22	82	39	26	70	18	66	32	21	58	14	54	26	17	49	12	46	22	15
32	84	17	77	37	25	68	14	62	30	20	56	12	51	25	17	48	10	44	21	14
34	82	14	74	33	23	67	11	60	27	19	55	9	49	22	16	47	8	42	19	13
36	81	11	70	30	21	65	9	57	25	17	54	7	47	20	14	46	6	40	17	12
38	72	9	60	25	18	60	8	50	21	15	50	7	42	17	13	43	6	36	15	11
40	72	9	58	23	17	60	8	48	19	14	50	7	41	16	12	43	6	35	14	10
42	72	9	56	21	15	59	8	46	17	13	50	7	39	15	11	43	6	34	13	10
44	71	9	54	19	14	59	8	45	16	12	50	7	38	13	10	43	6	33	12	9
46	71	9	52	17	14	59	8	43	14	11	50	7	37	12	10	43	6	32	11	8
48	71	9	51	16	13	59	8	42	13	11	50	7	36	11	9	43	6	31	10	8

SECTIONS & FITTINGS

Van-Packer makes a wide range of prefabricated adapters, fittings, elbows, wyes, tees, transitions, increasers, terminations, etc. Refer to the Model DW & Dplus brochure for additional information on part number designations and the wide range of parts and fittings we offer to complete a system from start to finish. In general, all sections are assembled with a standard flange connection; however, below are a few examples of parts that may require special attention.

ADAPTERS

Adapters connect to the liner flange per the joint assembly instructions.

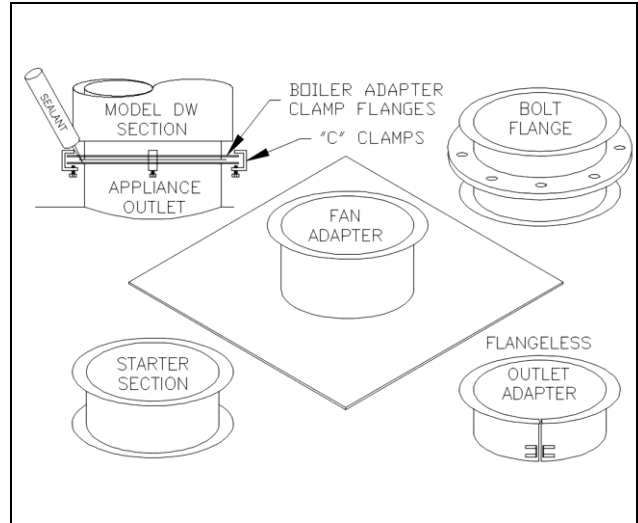
FAN/HOOD ADAPTER - PART FAS is intended to be used with a roof curb (provided by others) connection to a hood or an exhaust fan. Field connect the plate to the hood, curb or fan (drilling / fasteners & sealant by others as required). Refer to the hood, fan unit or the roof curb manufacturer's installation requirements.

STARTER SECTION - PART S/S is a short liner piece flanged on each end. This part is intended to have one end connected to a hood, duct/transition, fan unit, etc.

FLANGELESS OUTLET ADAPTER - PART FOA is a split liner piece with draw-up tabs. This adapter is intended to be slipped over a smooth collar, then drawn tight with the included fasteners. Apply sealant to the outside of the smooth collar then slightly rotate the FOA as it is slipped over the collar prior to draw-up.

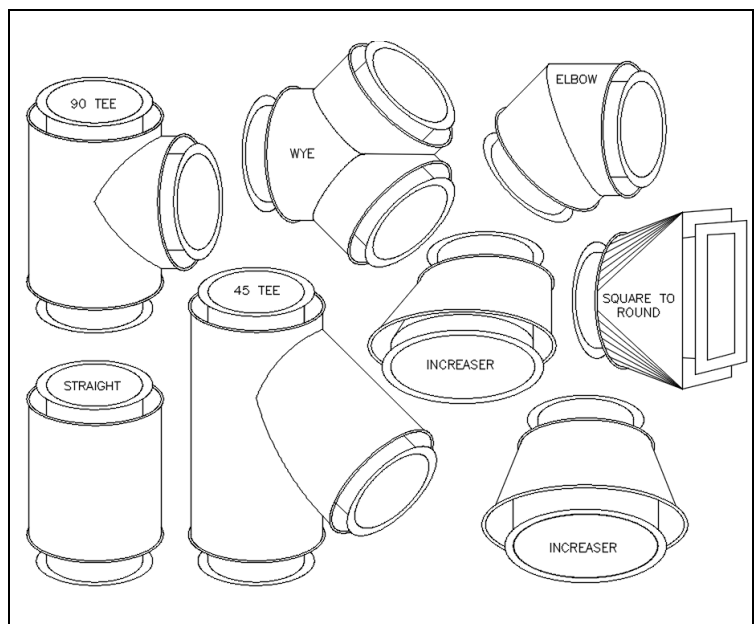
BOLT FLANGE - PART BFA is a short liner piece flanged on each end with a preassembled 1/4" thick van-stone (free floating) type bolt flange. This adapter is intended to be connected to a companion flange with appropriate fasteners (fasteners by others). Place a bead of sealant around flanged outlet about 1/8 inch from inside diameter

BOILER ADAPTER FLANGE – PART BAF Use the BAF when the appliance has a blank flanged outlet. Place a bead of sealant around flanged outlet about 1/8 inch from inside diameter. Next place flue on top of outlet, align, set clamp flange around liner flange of flue pipe, and fasten down with provided "C" clamps



FITTINGS & STRAIGHT SECTIONS

These fitting connect per the joint assembly instructions (page 6). Fittings and Straight sections are fixed degrees, lengths, etc., joined together to complete desired chimney/vent runs. These sections may also be equipped (must be factory installed) with nipples or couplings to accommodate test probes, drainage, etc. Refer to the Model DW & Dplus brochure for designation of part lengths and options for adding pipe nipples / couplings.



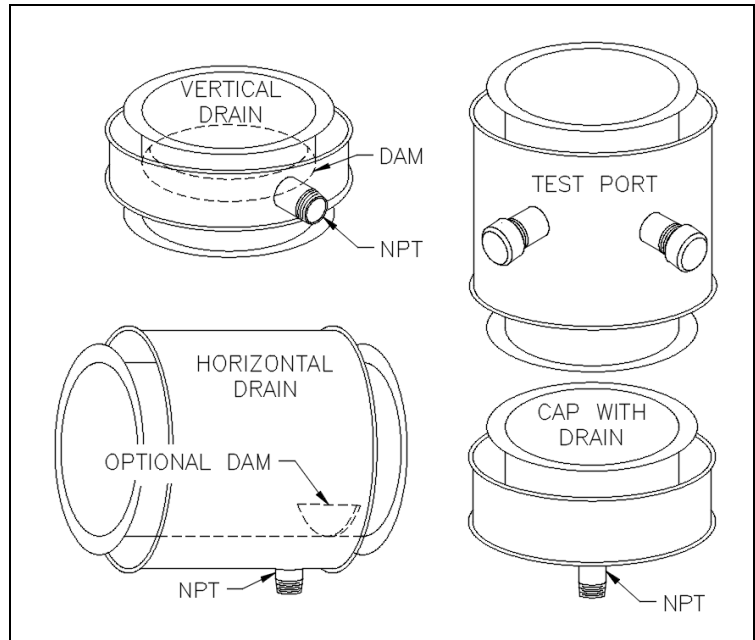
SECTIONS & FITTINGS CONTINUED

TEST PROBES & DRAINS

These fittings connect per the joint assembly instructions (page 6). Some uses for these fittings are: test probes, drainage, etc. Please refer to the Model DW & Dplus brochure for additional information and part number designation.

PLEASE NOTE:

1. Never allow moisture to puddle or accumulate in the system.
2. Drain piping cannot connect in a manner that adds additional weight/stress to our system.

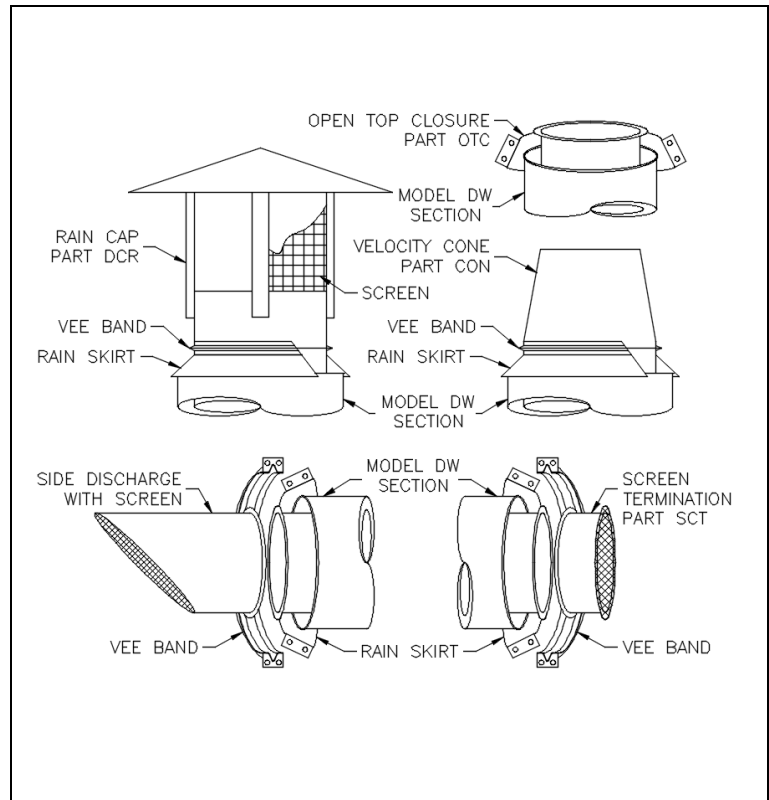


TERMINATIONS

Terminations connect per the joint assembly instructions (page 6). See below for weatherproofing instructions. Van-Packer makes several terminations. Refer to the Model DW & Dplus brochure for additional information on part number designations and the wide range of parts we offer to complete a system.

PLEASE NOTE: When using a termination with a **RAIN SKIRT - PART RSK**. Bolt in place right below the vee band and put a bead of sealant at the seam and around the upper portion between the rain skirt and vee band for weatherproofing.

When using an **OPEN TOP CLOSURE – PART OTC** Bolt in place right below the flange and put a bead of sealant at the seam and around the upper portion between the OTC and flange for weatherproofing.



Warning: Terminations must be arranged so flue gasses do not jeopardize people, enter building openings or overheat combustible structures. In general a chimney must terminate 3' min. above the roof and be 2' above the highest part of the building within a 10' radius. In horizontal applications the vent must terminate 3' min. above any forced air inlet within 10' radius, 1' min. above any door, window or gravity air inlet, 2' min. from an adjacent building, and 7' above grade. Always refer to appliance manufacturer's recommendations, NFPA 211 and additional codes / authorities having jurisdiction for specific chimney/vent termination requirements.

SECTIONS & FITTINGS - CONTINUED

ADJUSTABLE EXPANSION AND VARIABLE LENGTH SECTIONS

These components cannot be installed in series and are non-load bearing. For some installations, I.E. between two fittings, field cutting of the slip liner may be required. The raw end of the slip liner must slide into the mating section a minimum of 2", more is better. The raw end must always be down-hill from the rolled flange end. Do not cut slip liners to the exact "flange to flange" distance of the components being joined. Carefully cut and position slip liners accordingly when installed near tee sections, elbows, etc. as to not restrict/obstruct the flow of the chimney/vent system.

NOTES:

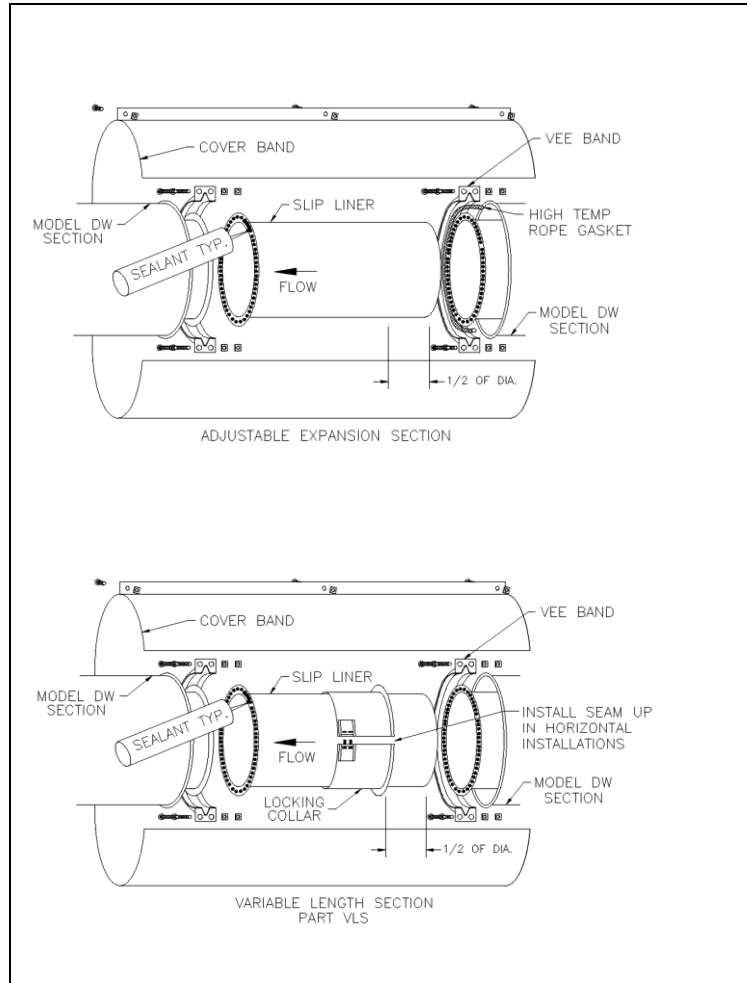
1. Apply sealant per the pictures to the right and the joint assembly instructions.
2. On the variable length section remember to slide the locking collar on the slip liner before step 3.
3. Slide the slip liner into the previous installed section before installing the following sections.
4. Wrap the assembly with the provided insulation If Model DWplus series.
5. Complete the duct enclosure by positioning the cover so that it overlaps the shells of the adjoining components and draw-up with the provided fasteners.

PART – ADJ

Adjustable expansion section is intended to be used to span distances between 1-1/2" to 19-1/2" and compensates for thermal expansion. These components are comprised of a slip liner and rope gasket.

PART – VLS

Variable length sections are intended to be used to span distances between 4-1/2" to 19-1/2". These components are comprised of a slip liner and locking collar. This part simulates a custom length straight section.



COVER PLATE – PART CVR

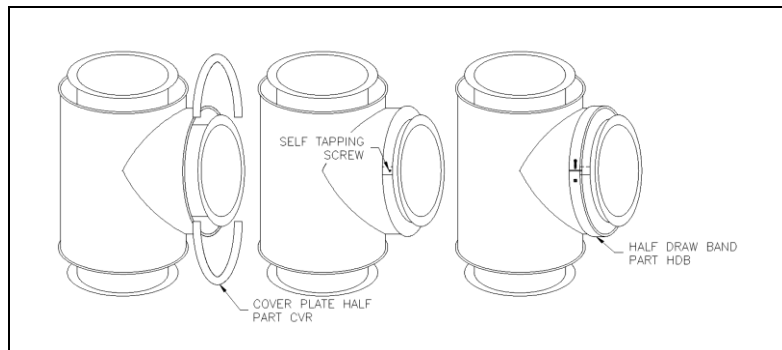
Van-Packer offers cover plates to close off the space between the liner and the shell. Use this to hide the liner and/or insulation from sight. Example shown below is installing the cover plate on a 90 tee projection.

STEP 1

Install the cover plates per the picture to the right. Self-tapping screw can be used to hold the two halves into place.

STEP 2

Fasten the half draw bands in place like the joint assembly instructions page 6 STEP 8



SUPPORTS & GUIDES

NOTES: The structural engineer for the project should select support member channels, beams, rods, wires/cables, etc. and joining methods in accordance with *Good Engineering Practices* to suite each specific application. Rods, wires/cables should only be used for hangers, NOT structural supports. Van-Packer accepts no responsibility for the design and/or modification of buildings or structures to accept the given load. All support framing, anchoring methods, etc. are by others.

STRUCTURAL SUPPORTS

PLATE SUPPORT ASSEMBLY – PART PLS

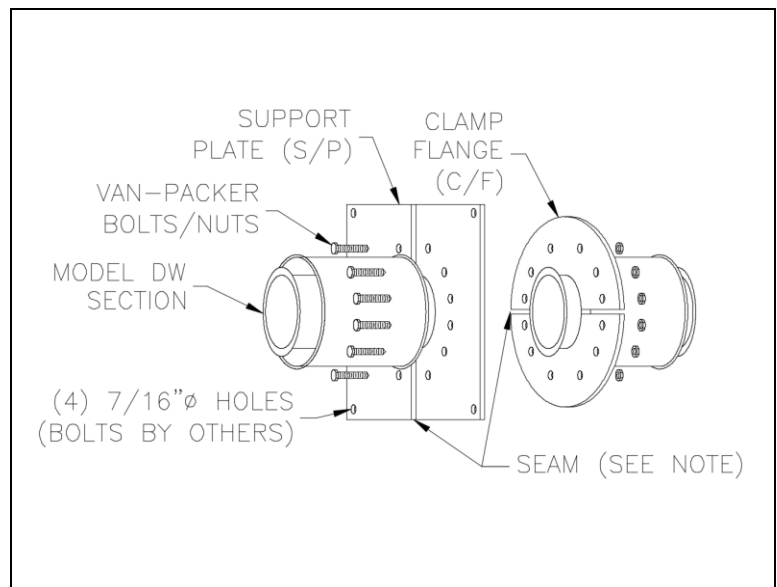
Plate support assemblies are used for vertical & horizontal structural anchor points. The PLS is to be used with structural support members, which are designed by the building structural engineer, not Van-Packer. Refer to page 7 for structural support limitations.

NOTE

The PLS consists of 6 pieces, 2 rectangular support plates, 2 round clamp flange halves and 2 half draw bands. The PLS, in conjunction with field fabricated support members, provides support for the chimney/vent (The seam in the S/P must be rotated 90 degrees from the C/F seam)

STEP 1

Apply sealant on the liner flange. Join the two liners together (no Vee Band is required) to capture the flanges between the support plate and the clamp flange. Bolt together the S/P and the C/F with the 3/8" bolts provided. Fully tighten the bolts.



STEP 2

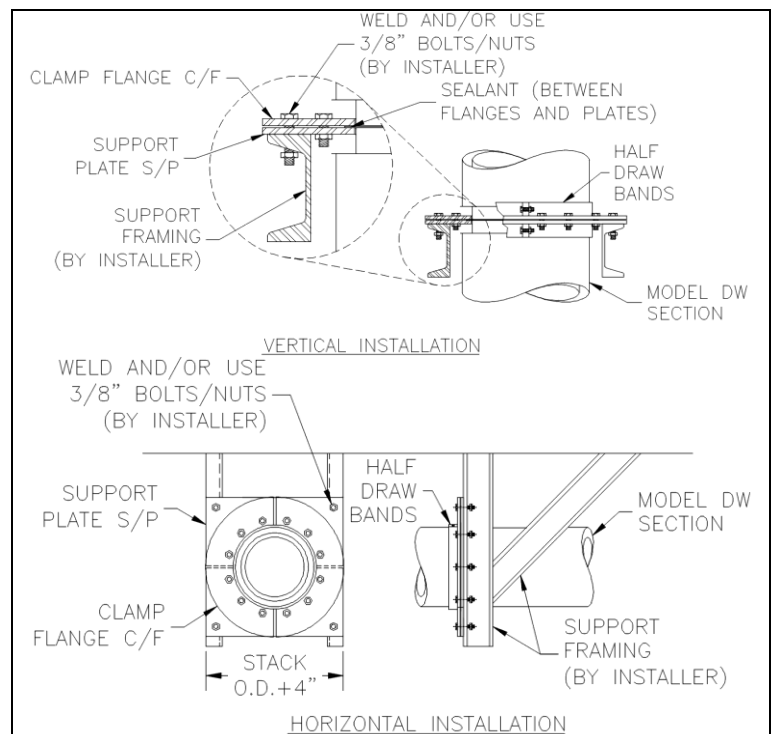
Refer to joint assembly instructions page 6 STEP 7

STEP 3

Fasten the half draw bands in place like the joint assembly instructions page 6 STEP 8

STEP 4

Support all four sides of the support plate. Design support member and fasteners in accordance with good engineering practices to suit each specific application. Van-Packer assumes no responsibility for the design and/or modification of buildings or structures to accept the given loads



SUPPORTS & GUIDES - CONTINUED

WALL SUPPORT – PART WSA

The wall support (WSA) is intended to provide a rigid support location. In some instances, additional field fabricated support members from the building wall structure to the wall bracket may be required. Anchor bolts and design by others. This rigid support location is intended to withstand the weight of chimney/vent components, forces from thermal expansion & exhaust velocities, etc. Design support member and fasteners in accordance with good engineering practices to suit each specific application. Van-Packer assumes no responsibility for the design and/or modification of buildings or structures to accept the given loads. Do not install near combustible material. Refer to chart on page 7 for support limitations.

NOTE:

The WSA consists of 6 pieces, 2 wall brackets, (left and right), 2 bottom plates, 2 top plates and 2 half draw bands.

STEP 1

Apply sealant on the liner flange. Join the two liners together (no Vee Band is required) to capture the flanges between the top and bottom plates. Bolt together the top and bottom plates with the 3/8" bolts provided. Fully tighten the bolts. These plates install just like the plate support assembly (page 11)

STEP 2

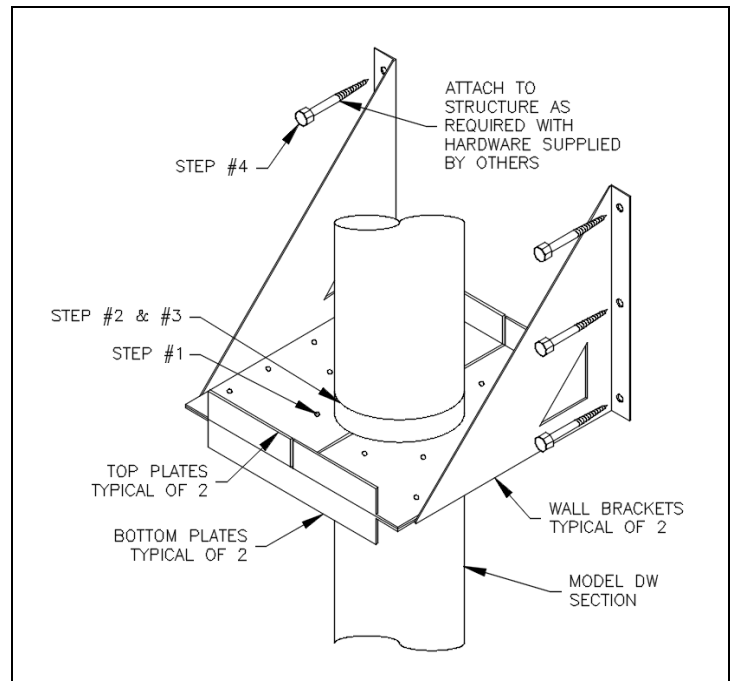
Refer to joint assembly instructions page 6 STEP 7

STEP 3

Fasten the half draw bands in place like the joint assembly instructions page 6 STEP 8

STEP 4

Anchor the wall brackets to the wall or additional field fabricated support members accordingly.



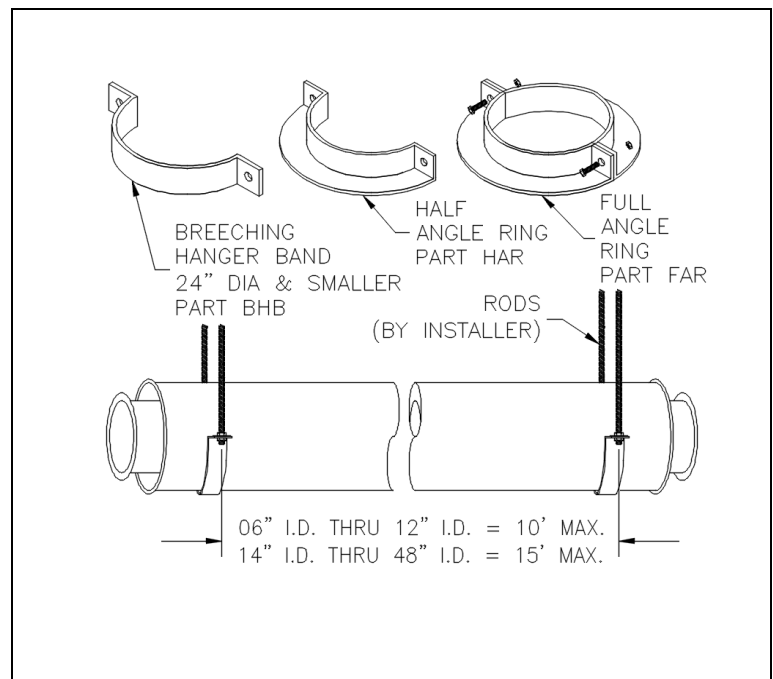
HORIZONTAL SUPPORT HANGER

Horizontal Hanger Supports, support the weight of horizontal assembled chimney/vent lengths while also maintaining alignment as the chimney/vent expands and contracts. Use hangers in conjunction with support rods or other field fabricated support members that attach to the building or structure. Position hanger away from joint to allow for unrestricted expansion and contraction of the chimney/vent system.

PART FAR supports horizontal and vertical length of pipe in all diameters, models and exhaust types

PART HAR supports horizontal lengths of pipe 24" I.D. and under for all models. Not for use on engine exhaust systems.

PART BHB supports horizontal length of pipe 24" I.D. and under for models DW & DWplus. Not for use on engine exhaust systems.

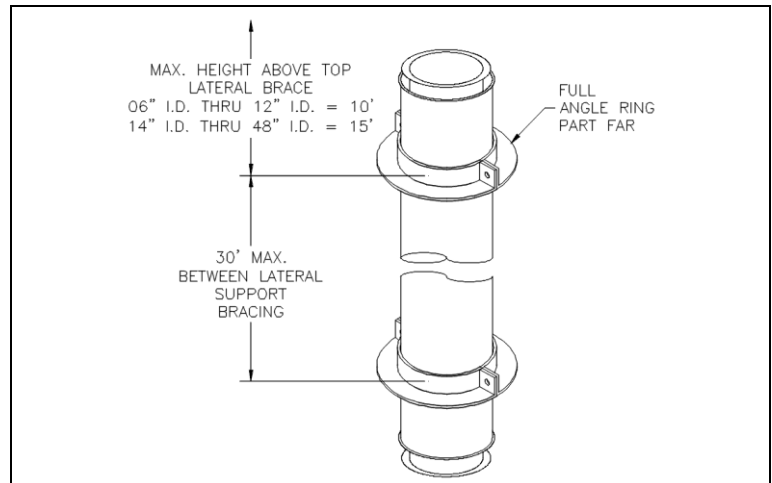


SUPPORTS & GUIDES - CONTINUED

LATERAL BRACES

FULL ANGLE RING – PART FAR

Full angle ring, in conjunction with field fabricated support members from the FAR attached to the building or structure, are intended to laterally brace the vertical assembled chimney/vent lengths from wind loads and to also maintain alignment. The FAR is comprised of (2) halves when bolted together fit loose around the chimney/vent to allow for expansion and contractions. Position the FAR away from the joint to allow for unrestricted expansion and contraction of the chimney/vent system.



GUY ATTACHMENT RING – PART GAR

Guy attachment ring, in conjunction with cables, tensioners, anchors, and other miscellaneous hardware from the GAR attached to the building structure, are intended to laterally brace the vertical assembled chimney/vent lengths from wind loads and to also maintain alignment as the chimney/vent expands and contracts.

NOTE

The GAR consists of 4 clamp flanges and 2 half draw bands. (Do NOT line up seams of the clamp flanges. They should be rotated by 90 deg). Minimum of three cables spaced at 120 deg apart is required for one GAR. Cables, anchors and all other miscellaneous hardware is by installing contractor. Please note the cables must have tension on them at all times. (Do not over tension the wires) Some type of a tensioner must be used to keep the cables tight while still allowing for expansion and contraction

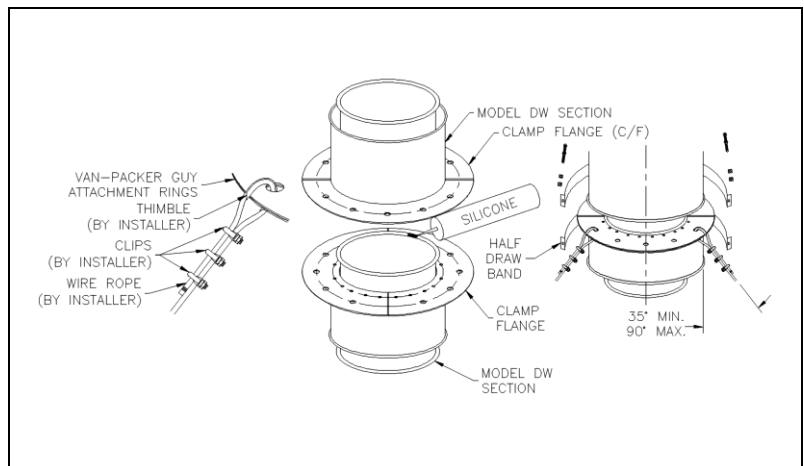
STEP 1

Apply sealant on the liner flange. Join the two liners together (no Vee Band is required) to capture the flanges between the clamp flanges. Bolt together the flanges with the 3/8" bolts provided. Fully tighten the bolts

STEP 2 Refer to joint assembly instructions page 6 STEP 7

STEP 3

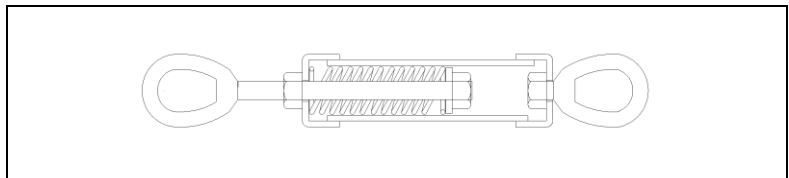
Fasten the half draw bands in place like the joint assembly instructions page 6 STEP 8



GUY TENSIONER – PART 1500GUY

Van-Packer offers a 1500 pound Guy Tensioner that is good for up to 3" of expansion. Use the guy tensioner in conjunction with the guy attachment ring. The guy tensioner allows you to keep tension on the guy cables while still allowing for expansion and contraction. Cables, anchors, and other miscellaneous hardware is to be by the installing contractor. (Do not over tension the wires.)

NOTE: Van-Packer accepts no responsibility for the design and/or modification of buildings or structures to accept the given load.



ROOF PENETRATIONS

INSULATED THIMBLE, FLASHING, & COUNTER FLASHING - PARTS THM, FLS, & CFL

Insulated thimbles and flashings are available for flat and many pitched roofs. The roof pitch must be specified at the time of purchase as these components are NOT adjustable. The required roof opening (square or round opening allowed) for a flat roof is duct O.D. +8 1/2".

STEP 1

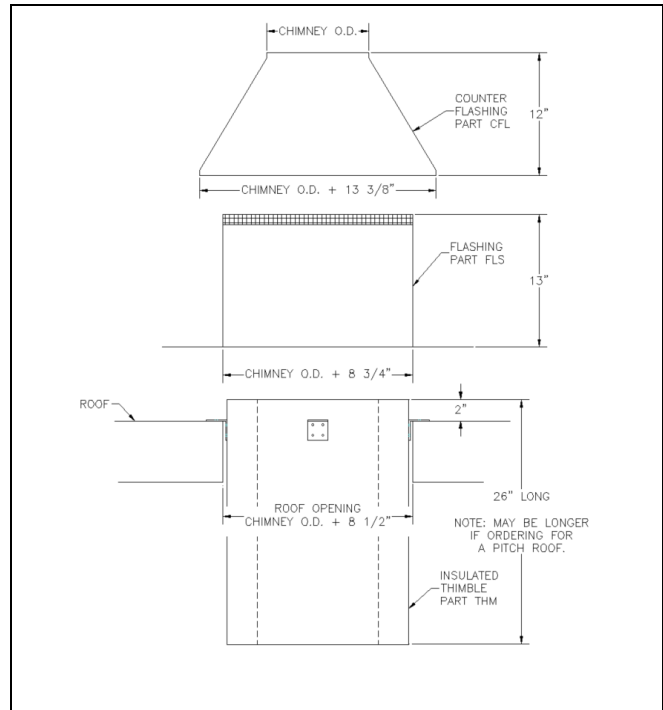
Cut the roof opening. If no thimble is being used, skip to **STEP 2** below. Lower the thimble through the opening and mount to the roof/curb with appropriate fasteners (by others) at all mounting holes. **NOTE:** do not block the airflow between the thimble and the venting system.

STEP 2

Center the flashing around the thimble, attach and weatherproof it to the roof/curb with appropriate fasteners and weatherproofing material (by others). **NOTE:** Consult the roofing contractor.

STEP 3

Assemble the duct through the thimble accordingly. Next, install the counter flashing by positioning it around the duct and against the screen at the top of the flashing. Then, with the provided fasteners draw up the counter flashing. Last, apply a bead of sealant at the top of the counter flashing. **NOTE:** roofing materials must not fill the entire space between the roof and the bottom of the counter flashing.



VENTILATED ROOF PENETRATION ASSEMBLY – PART RPA or VRT

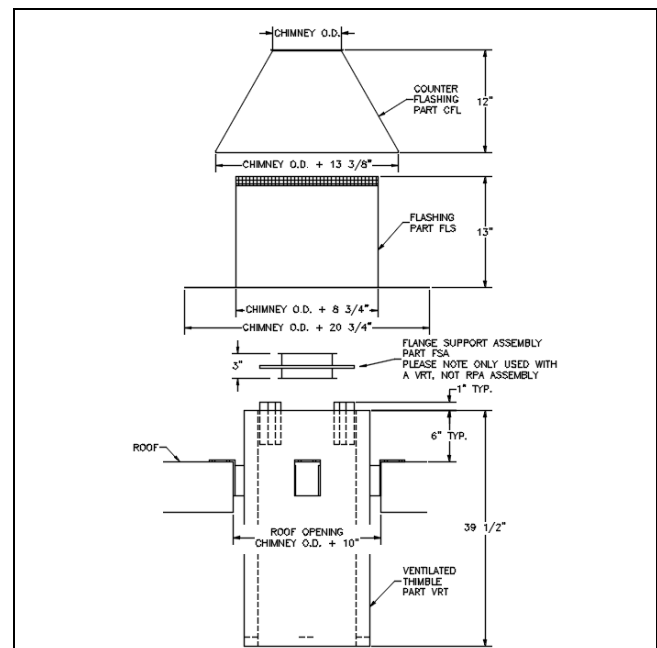
The ventilated roof penetration assembly can be used when the duct passes through a flat roof or a pitched roof with a level roof curb. The required rough roof opening is duct O.D. +10".

The **RPA** is comprised of (1) ventilated roof thimble VRT, (1) flashing FLS, and (1) counter flashing CFL.

The **VRT** is comprised of (1) ventilated roof thimble VRT, (1) flange support assembly FSA, (1) flashing FLS, and (1) counter flashing CFL. **Note:** The VRS supports vertical load only. Duct must be properly laterally braced. The structural engineer for the project must verify the roof/curb are capable of supporting the intended load.

STEP 1

Cut the rough roof opening. If no thimble is being used, skip to **STEP 2** above. Lower the thimble through the opening and mount to the roof/curb with appropriate fasteners (by others) at all mounting clip holes. **NOTE:** do not block the airflow between the thimble and the venting system. Then install the flashing and counter flashing in accordance with instructions **STEPS 2 & 3** above.



SYSTEM INSTALLATION EXAMPLE

Below shows an installation example. This example is intended to reflect general requirements for support locations, with respect to fittings and to also show standard support locations for an installation in accordance with its design listing. This example may not reflect all necessary supports, drains, etc. which may be required to meet applicable codes and to help ensure a well functioning chimney/vent system (refer to applicable codes as required).

